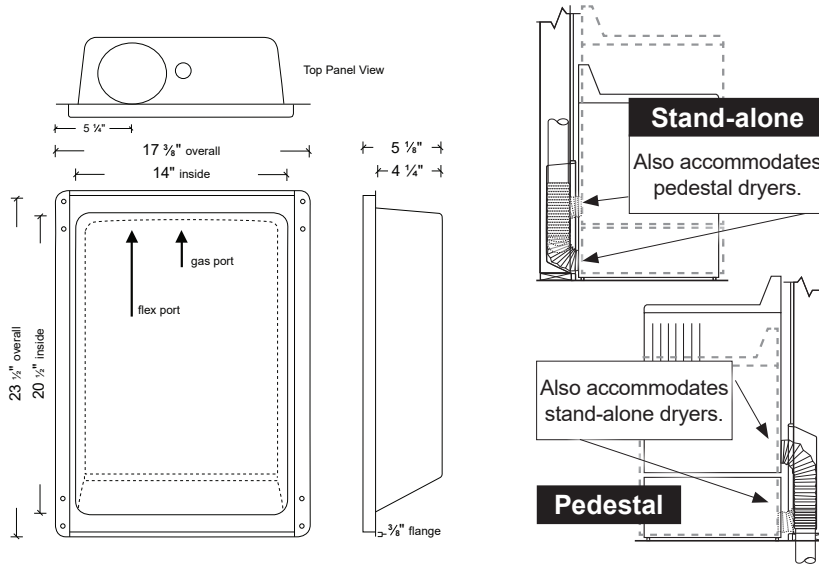




# Technical Product Specifications

480 - Up, Down / Pedestal, Stand-alone



Model Number	Wall Size	Exhaust Direction
480	2X6	Up & Down
425	2X6	Upward
350	2X4	Upward
4D	2X6	Downward
3D	2X4	Downward

## Performance Data

### For Use:

- Dryer hose receptacle
- Doubles as gas connection receptacle
- Meets code requirements as a clean-out

### Materials:

- Model 480, 425 and 350 deep drawn with .028 aluminized steel (22 gauge)
- Model 4D and 3D deep drawn with .031 aluminized steel (22 gauge)
- UL Classified for use in a one hour wall assembly (UL System # W-L-7129)



Cabinets

For Use in Penetration Firestop Systems  
See UL Directory of Products Certified for  
Canada and UL Fire Resistance Directory

<25XC>

### Unit Weight:

- Model 480: 7.5 lbs.
- Model 425: 4.5 lbs.
- Model 350: 4.0 lbs.
- Model 4D: 5.25 lbs.
- Model 3D: 4.75 lbs.

## General Information

### Benefits:

- Locate the dryer right up against the wall
- Flex is protected from getting crushed
- Lint build-up is minimized
- Efficiency is increased...clothes dry faster
- Laundry room appears larger to prospects
- Reduces the fire hazard
- Reduces mold potential in the wall

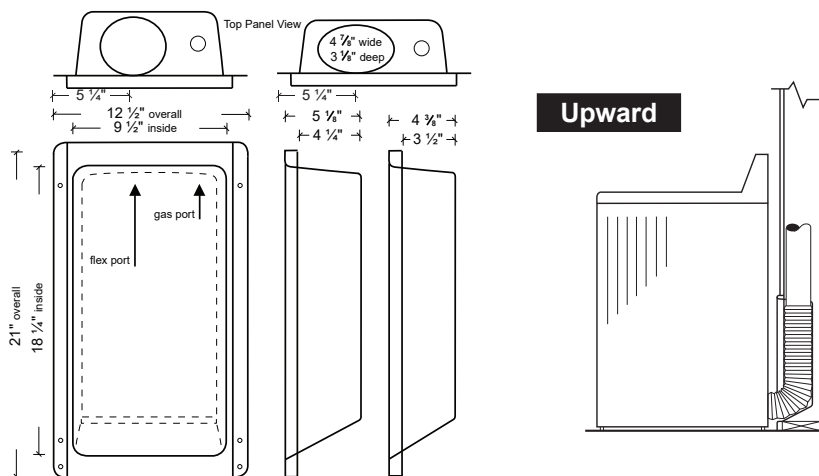
### Features:

- No trim-ring piece is needed
- Elbow eliminator...gain 5 foot of duct run
- Surface is paintable, no masking needed
- Convenient Duct Support Tab

## Manufactured By

**InOvate Technologies, Inc.**  
250 S. Central Blvd. Suite 207  
Jupiter, FL 33458  
Phone: (888) 443-7937  
Fax: (561) 745-9723  
www.dryerbox.com

425 / 350 - Upward Venting



4D / 3D - Downward Venting

