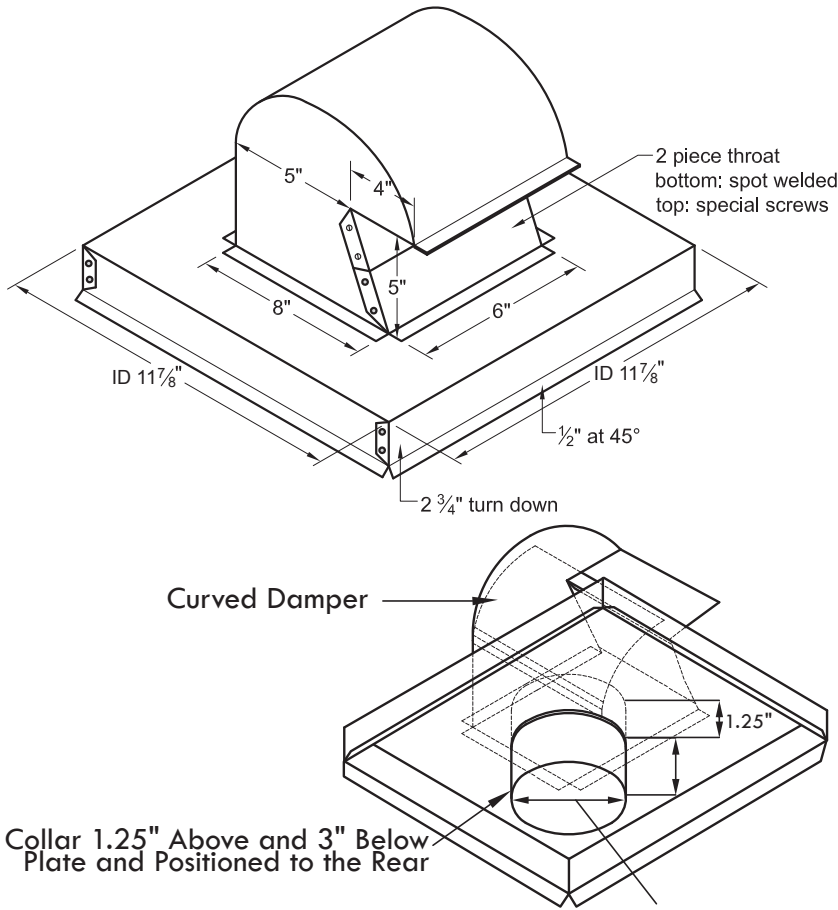


DryerJack

Technical Product Specifications

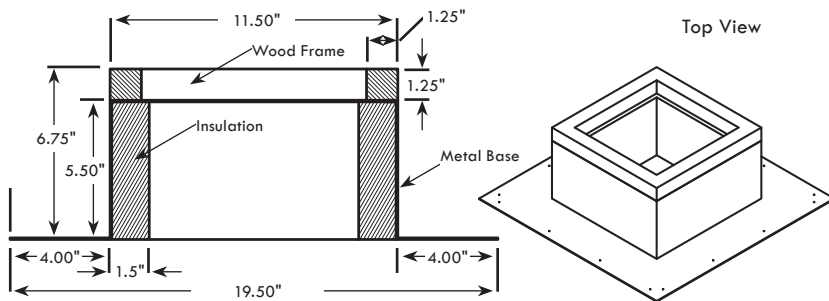
DryerJack Model 486U



Model	Applications
DJK486U	Extra clearance model with curb for flat roof
Performance Data	
For Use: <ul style="list-style-type: none"> Non-restrictive dryer roof vent termination Complies with IMC 504.4 & IRC 1502.3 	
Material: <ul style="list-style-type: none"> 26 gauge Galvalume® Single Unit Weight: 7 lbs. 	
General Information	
Benefits: <ul style="list-style-type: none"> Venting through the roof can shorten duct length Zero back pressure lengthens appliance life Improved efficiency shortens cycles, saves energy Damper design deters bird and rodent entry Access features ease duct cleaning & maintenance 	
Features: <ul style="list-style-type: none"> Heavy gauge Galvalume® 2 3/4" curb for flat roof elements protection Equally suitable for new and retrofit construction Watertight extended collar for secure docking 	
Manufactured By	
InOvate Technologies, Inc. 250 S. Central Blvd. Suite 20 Jupiter, FL 33458 Telephone: 561-743-8696 Facsimile: 561-745-9723 www.DryerJack.com	

CURB115

Sold Separately



 **Made in the USA**

Airflow Restriction Comparison (Back Pressure Measured in Water Column Inches)



DryerJack
Model 466
0.001



DryerJack
Model 486
0.02



Low Profile
Plastic
.35



Low Profile
Metal
.30



Four Inch
Gooseneck
.45