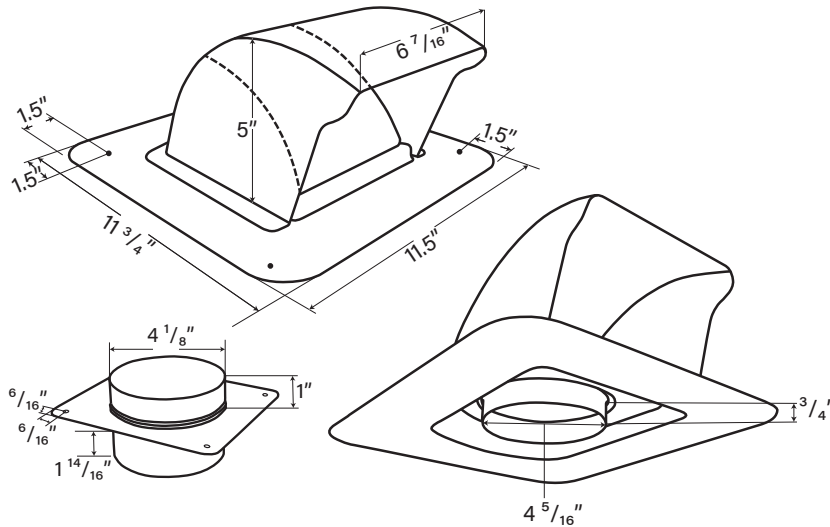


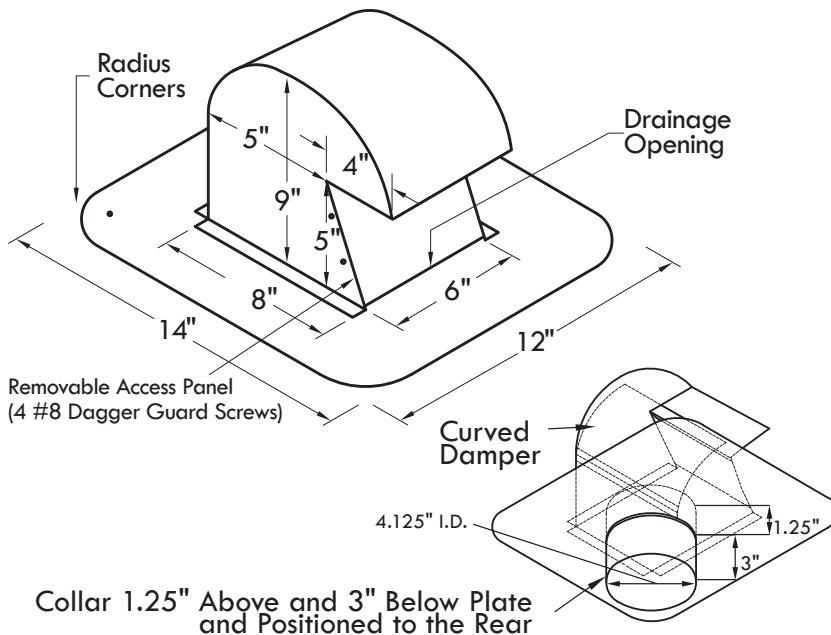
DryerJack

Technical Product Specifications

DryerJack Model 477



DryerJack Model 486



Model	Applications
DJK477	Low profile, efficient termination for safely venting the dryer through the roof.
DJK486	Extra clearance model for high profile tile or heavy snowfall zones.

Performance Data
For Use: <ul style="list-style-type: none"> Non-restrictive dryer roof vent termination Complies with IMC 504.4 & IRC 1502.3
Material: <ul style="list-style-type: none"> 26 gauge Galvalume®
Weight Each: DJK477 / 3 lbs. — DJK486 4 lbs.

General Information
Benefits: <ul style="list-style-type: none"> Venting through the roof can shorten duct length Improved efficiency shortens cycles, saves energy Damper design deters bird and rodent entry Access features ease duct cleaning & maintenance
Features: <ul style="list-style-type: none"> Rugged heavy gauge Galvalume Rounded corner nailing flange and nail holes Equally suitable for new and retrofit construction

Manufactured By
InOvate Technologies, Inc. 250 S. Central Blvd. Suite 207 Jupiter, FL 33458 Telephone: 561-743-8696 Facsimile: 561-745-9723 www.DryerJack.com

 **Made in the USA**