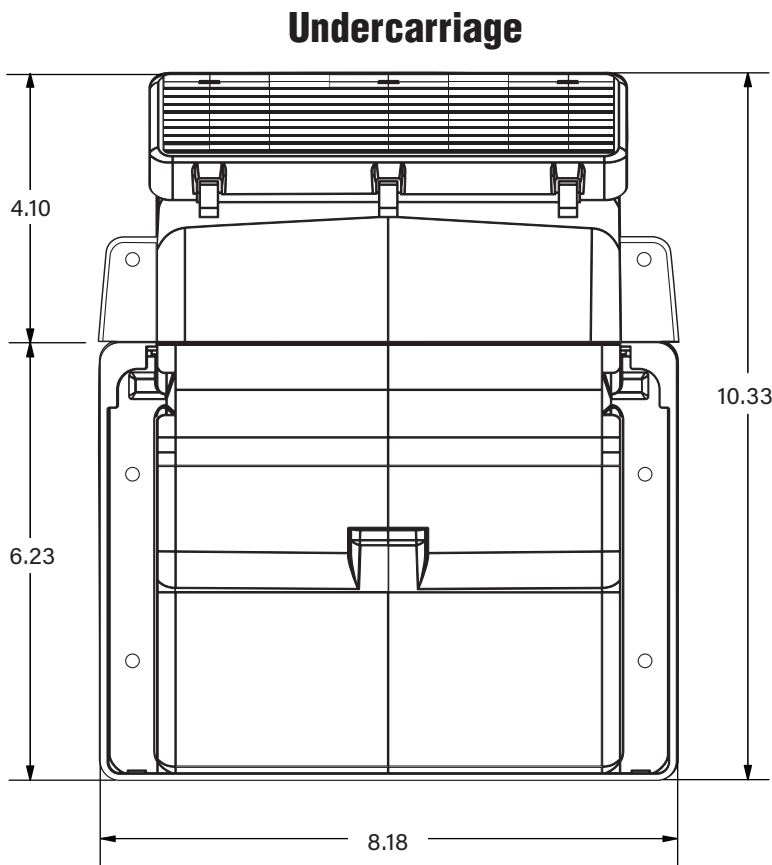
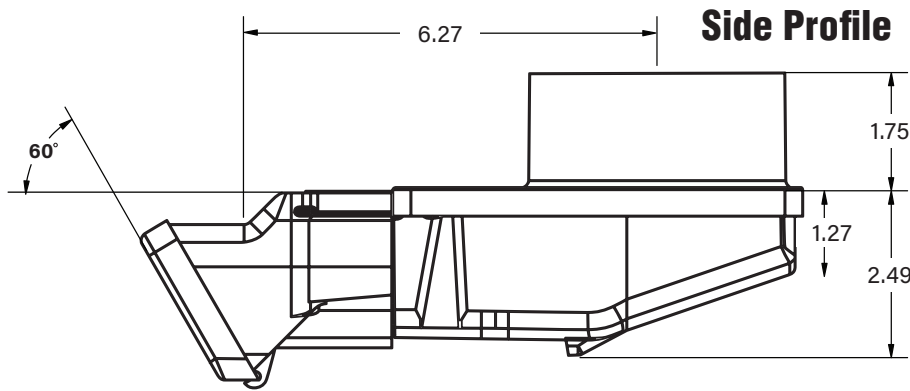




# Technical Product Specifications



Model Number		Color
SFV410		White
Performance Data		
<b>Product Use:</b> <ul style="list-style-type: none"> <li>• Directs Bathroom Exhaust Beyond the Soffit</li> <li>• Prevents Humid Air from Recirculating Through The Attic's Passive Ventilation System</li> </ul>		
<b>Materials:</b> <ul style="list-style-type: none"> <li>• High-Density Polyethylene (HDPE)</li> </ul>		
<b>Carton Weight:</b> SFV410: 1 lbs. (Unit)   SFV410: 6.5 lbs. (6/carton)		
General Information		
<b>Benefits:</b> <ul style="list-style-type: none"> <li>• Deters Pest Entry</li> <li>• Prevents Mold and Moisture Damage</li> <li>• ICC and IRC code Compliant for Ventilation</li> <li>• Installs Easily in New and Existing Construction</li> <li>• Enhances Ventilation by Supporting Attic Airflow</li> <li>• Durable Construction to Protect Against the Elements</li> </ul>		
<b>Features:</b> <ul style="list-style-type: none"> <li>• Weep Hole Placement to Remove Water Accumulation</li> <li>• Larger Vent Opening for Better Air Flow 12.5 Sq. In.</li> <li>• Works With Pitches Ranging From 2/12 to 12/12</li> <li>• Four Mounting Holes for Easy Installation</li> <li>• Removable Grill For Easy Maintenance</li> <li>• Constructed of Durable HDPE</li> <li>• Angled Gravity Assist Damper</li> <li>• 4" Duct Compatible</li> </ul>		
Distributed By		
<b>InOvate®</b> 250 S. Central Blvd. Suite 207 Jupiter, FL 33458 Phone: (561) 744-0473 Fax: (561) 745-9723 <a href="https://SoffitFlow.com">https://SoffitFlow.com</a>		

