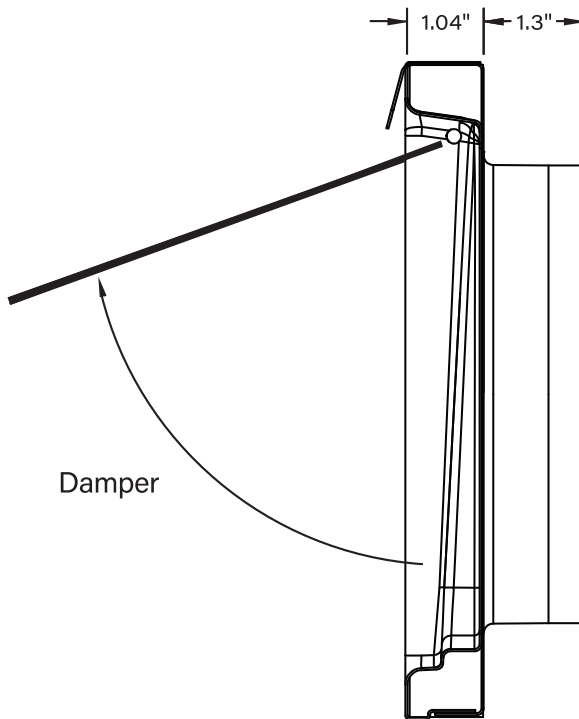
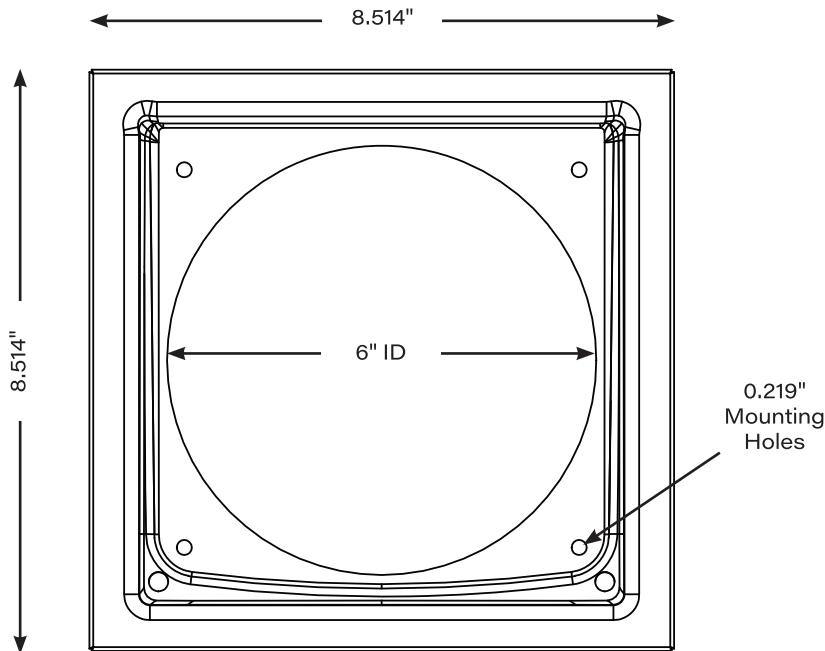


Premium 6" Wall Vent

Technical Product Specifications



Model Number	Color
6WVW	White
6WVT	Tan
6WVB	Brown
6WVK	Black
6WVP	Primer

Performance Data

Product Use:

• Venting Exhaust Systems Through Exterior Walls
 Note: For residential clothes dryers, most building code requires that the actual duct run be 4" diameter (or in some instances 5"). An increaser can be employed at the exhaust exit to use this product. If used for dryer venting, the screen must be removed to meet standard code requirements.

Materials:

- 26 Gauge Galvalume® Steel Housing
- 30 Gauge Galvalume® Steel Damper
- Polyester TGIC Powder Coating
- Removable Galvanized .025" Dia. Wire Screen

General Information

Benefits:

- Improves Aesthetics with Flush Installation
- Installs Easily in New and Existing Construction
- Stands the Test of Time with Durable Materials
- Simplifies Duct Cleaning with Easy Accessibility
- Maximizes Airflow Efficiency
- Maintains consistent look when used in concert with the Dryer Wall Vent.

Features:

- Galvanized & Powder Coated Steel Construction
- Lightweight Damper and Heavier Frame
- Damper Opens Freely to 130°
- Four Built-in Mounting Holes

Manufactured By

InOvate Technologies, Inc.
 250 S. Central Blvd. Suite 20
 Jupiter, FL 33458
 Phone: (888) 443-7937
 Fax: (561) 745-9723
www.inovate.com

 **Made in the USA**